

ARDEE POINT

NEWMARKET SQ

CHAMBER ST

THE EIGHT BUILDING

MILL ST

BREWERS CLOSE

OSCAR SQUARE

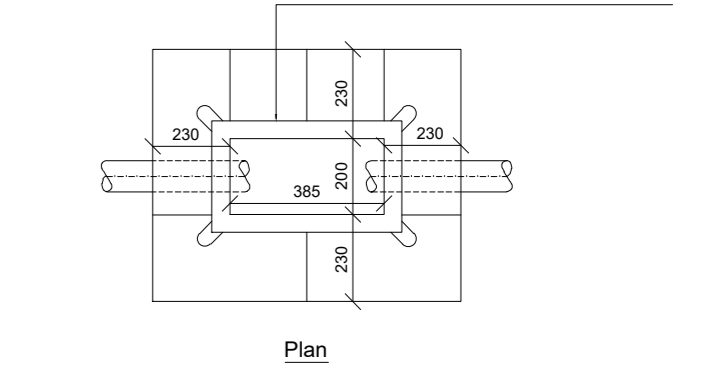
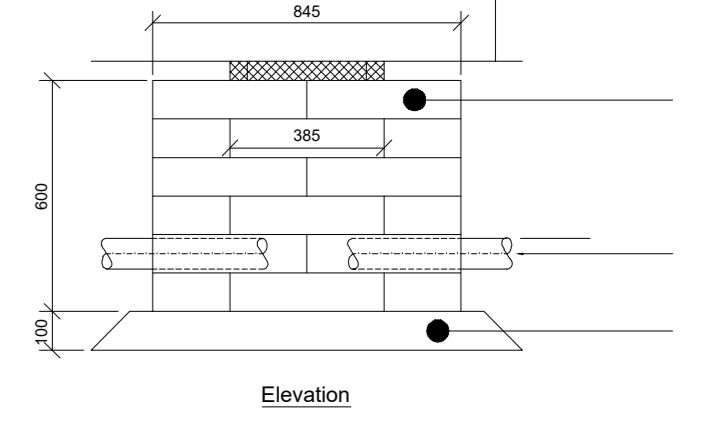
Symbols Reference:

COLUMN DETAILS	HEIGHT	BRACKET LENGTH	INCLINATION	COLUMN QUANTITY	LANTERN DETAILS	OVERAGE WATTAGE	MAKE & MODEL
X1	6m	Post-top	0 Degree up/lift	5		28W	3785 lm THORN ISARD PRO 96275919
X2					Existing Public Light		

Public Lighting Pillar (located at least 2m from ESB pillar)

2X6ga PVC/SWA/PVC cable laid in ducting to I.S.10101:2020. Single wall ducting, colour red to be used. Manufactured from high density polyethylene (H.D.P.E.), 107mm external diameter, having a wall thickness of 5mm. This ducting to have the words "Street Lighting" stamped on, letter size 9mm at 1m intervals. The lettering to face uppermost in the trench. All works to Local Authority specification. This is a circuit layout and not indicative of where ducts are to be laid.

Public lighting cable chamber as per Local Authority P.L. Dept. specification.

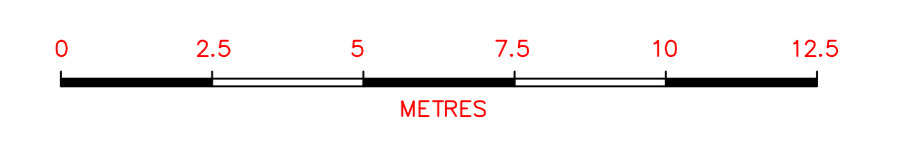


Notes:

- All LED lanterns must have Constant Light Output (CLO). Automatically dimmed to 75% each night from 12 midnight to 6am. All lanterns to have 7pin NEMA sockets fitted.
- Electronic Photocells switched at 55/8Lux.
- All columns, luminaires, cable and pillars, shall comply with Local Authority General Specification for Public Lighting.
- No trees to be located within falling distance of P.L. columns. Minimum set-back of columns is 800mm from face of kerb.



ISSUE FOR PRICING



Revision	Issue: P-Preliminary T-Tender CN-Construction A-Approval I-Information	Date	Checked	Revision	Issue: P-Preliminary T-Tender CN-Construction A-Approval I-Information	Date	Checked	Revision	Issue: P-Preliminary T-Tender CN-Construction A-Approval I-Information	Date	Checked

HOMAN O'BRIEN
Engineering Excellence

Consulting Engineers
89 Booterstown Avenue, Booterstown, Co. Dublin.
Telephone: 2056300, Fax: 2056301
E-mail: info@homanobrien.ie
Web: www.homanobrien.ie

Newmarket Residential Scheme
Newmarket, Ardee Street, Dublin 6.

Revelate Capital
12 Northbrook Road, Dublin 6.

Electrical Services Installation
Site Lighting Layout c/w isolines

Reddy Architecture + Urbanism
Dartry Mills, Dartry Road, Dublin 6.

Date: 18-02-2022
Scale: 1:125 @ A0
Drawing Number: 2102-E1001

Drawn: R.B.
Checked: A.C.
Issue: PO1

18-05-2023 | 01 | A.C.